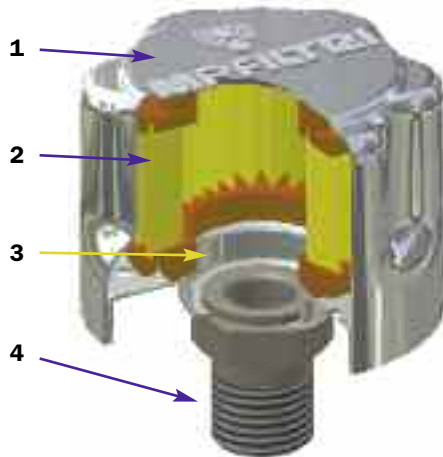


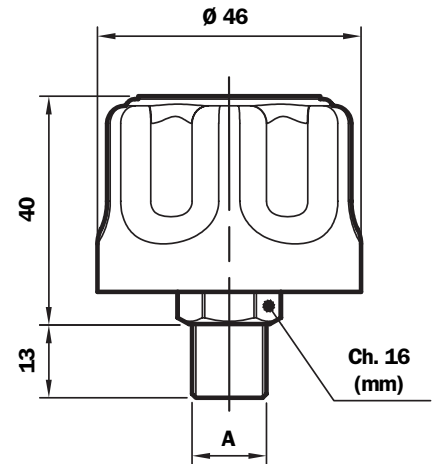
Dimensions

TA46G-N...P01

With filter



Threaded connection



TA46 G - N (Materials)

- 1 - Cover: Chrome plated steel
- 2 - Filter element: Resin impregnated cellulose
Polyurethane/Stainless Steel
- 3 - Flange: Galvanised Steel
- 4 - Threaded connection: Phosphated Steel

Flow rate with Δp : 0,02 bar

Filtration	I_N /min
3 μm	150
10 μm	200

Weight

TA 46: 0,110 kg

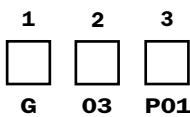
Connection	A
G	G 1/4"
N	1/4" NPT

Ordering information

Breather filter

TA46

Example: TA46



1 - Connection to reservoir

G	G 1/4"
N	1/4" NPT

3 - Options

P01	MP Filtri standard
-----	--------------------

2 - Filter element

03	3 μm
10	10 μm