

Inlet Filter Silencers/ Silencers



Technical Data	pg. 2-2
Miniature Filter Silencers	
FS Series: 1/4" - 1" MPT, 7 - 60 m ³ /h	pg. 2-4
PS Series: 1/8" - 1" MPT, 5 - 60 m ³ /h	pg. 2-5
Compact Filter Silencers	
FS Series: 1/2" - 1" MPT, 1-1/4" - 6" BSPT, 17 - 1870m ³ /h	pg. 2-6
FS Series: DN80 - DN150, 510 - 1870 m ³ /h	pg. 2-7
Big Boy Filter Silencers	
FS Series: DN200 - DN300, 3060 - 7990 m ³ /h	pg. 2-8
Side Channel Blower Silencers	
SLCR Series: 1/2" - 4", 45 - 980 m ³ /h	pg. 2-9
Filter Silencers for Blowers	
QB Series: 2" - 6" BSPT, 230 - 1870 m ³ /h	pg. 2-10
QB Series: DN80 - DN150, 510 - 1870 m ³ /h	pg. 2-10
Big Boy Filter Silencers for Blowers	
QB Series: DN200 - DN300, 3060 - 7990 m ³ /h	pg. 2-12
Silencer Frames for Blower Packages	
BBF Series: 2" - 6", 230 - 1870 m ³ /h	pg. 2-13
Lateral Access Filter Silencers	
LQB Series	pg. 2-14
Sumo Class Filter Silencers Up to 13600 m ³ /h	pg. 2-15
Multibarrel Filter Silencers Up to 42500 m ³ /h	pg. 2-15

Applications & Equipment

- Industrial & Severe Duty
- Blowers - Side Channel & Roots (P.D.)
- Breathers
- Fuel Cells
- Piston Compressors
- Screw Compressors
- Centrifugal Compressors
- Hydraulic Breathers – fine filtration
- Engines
- Fans
- Vacuum Pumps & Systems
- Construction\Contractor Industry
- Medical
- Pneumatic Conveying
- Waste Water Aeration
- Sparging
- Factory Air
- Vacuum Vent Breathers
- Cement Processing
- Power Plants
- Centralized Air Intakes

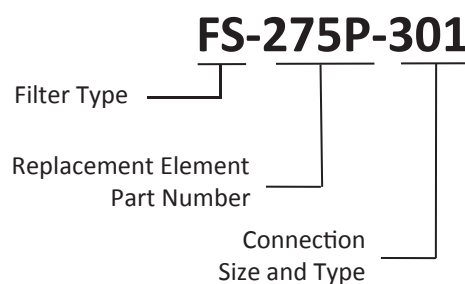
Identification

Standard Solberg products should have an identification label/nameplate that gives the following information:

Assembly Model #

Replacement Element #

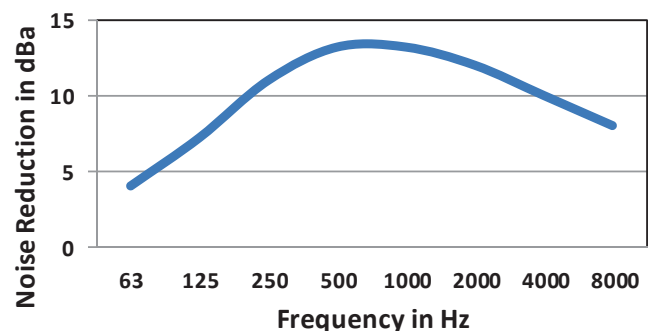
The part number designates the filter type, the element configuration and housing connection size. For example, the following part number identifies the filter as being a “FS” design filter with a “275” element, “P” prefilter and 3” BSPT connection size.



Typical Noise Attenuation

See chart for typical noise attenuation for filter silencers. It may vary due to the wide range of applications, installations, and machines.

Typical Noise Attenuation



Choosing the Best Filter for your Equipment

- A. Connection & Airflow Known: When the connection & airflow is known:
1. Select appropriate connection style. (i.e.: BSPT, Flange, BSPP, etc.)
 2. Check assembly m³/h (flow) rating. Compare with your required airflow. (Note: Assembly flow ratings are based on 6,000 FPM or 30m/sec for a given connection size to achieve low pressure drop performance. When required flow exceeds assembly flow rating, the pressure drop through the outlet connection will increase. In such cases select by element m³/h (flow) rating.)
 3. When required flow rating matches connection size; skip to “C. Selecting Elements”.
- B. Unknown Connection: When the connection size is unknown, flexible, or the required flow rating exceeds assembly flow rating:
1. Match required flow rating with the element flow rating.
 2. Choose related connection size.
- C. Selecting Elements: The filter performance is influenced by the actual application duty and the equipment it is installed on. Regular maintenance checks and proper servicing is required.

Application Duty Descriptions:

Industrial Duty: Clean workshop or clean outdoor environment - small element sizing is sufficient.

Severe Duty: Dirty workshop, wastewater – medium to large element is recommended.

Extreme Duty: Cement, steel making, plastics or dusty material conveying – Largest element sizing is recommended.

1. Select media required by your application. Options include:
 - a. Standard media
 1. Polyester: All purpose; it withstands pulses, moisture, and oily air
 2. Paper: Mostly dry, smooth flow applications
 - b. Special Media: For a variety of micron levels and media types, see the “Filter Media Specifications” in the Replacement Element Section or contact Solberg.
2. Select element size by matching the element with the anticipated duty and upsize accordingly.

Filter Assembly Maintenance

Request the appropriate maintenance manual for more in-depth information from your Solberg representative or through www.solbergmfg.com.

Element Maintenance

Solberg elements should be replaced once the pressure drop reaches 37-50 mbar above the initial pressure drop of the installation. Cleaning an element is also an option.

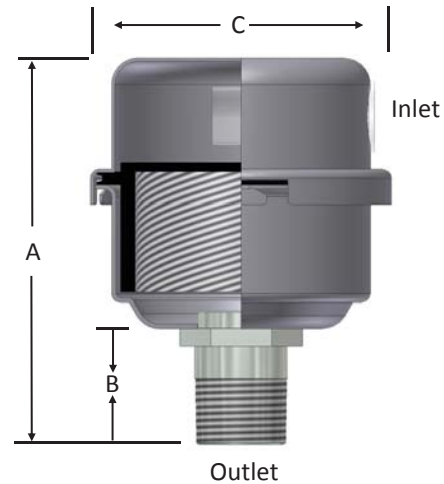
Solberg recommends replacing dirty elements for optimal performance. Any damage which results from by-pass or additional pressure drop created by element cleaning is the sole responsibility of the operator.

Note: The overall performance of a filter element is altered once cleaned. The initial pressure drop after subsequent cleanings will be greater than the original, clean pressure drop of the element. After each cleaning, the pressure drop will continue to increase. Under all circumstances, the initial pressure drop of the element needs to be maintained at less than 37 mbar.

If the pressure drop exceeds 50 mbar at start-up; it should be replaced with a new element. With many types of equipment, the maximum pressure drop allowed will be dictated by the ability of the equipment to perform to its rated capacity. Under all circumstances, the operator should avoid exceeding the manufacturer’s recommended maximum pressure drop for their specific equipment.

Miniature Filter Silencers

FS Series 1/4" - 1"



Features

- High grade filter element with integrated gasket seal
- Fully drawn weatherhood
- Tubular silencing design - tube maximizes attenuation and air flow while minimizing pressure drop
- Corrosion resistant carbon steel construction
- Black powder coat finish
- Ability to mount vertically and horizontally

Technical Specifications

- Temp (continuous): min-26°C (-15°F) max104°C (220°F)
- Filter change out differential: 37-50 mbar over initial ΔP
- Polyester: 99%+ removal efficiency standard to 25 micron
- Paper: 99%+ removal efficiency standard to 2 micron
- Pressure drop graphs available upon request

Options

- Various media for different environments
- Straight through configuration
- Various nonstandard finishes and connection styles

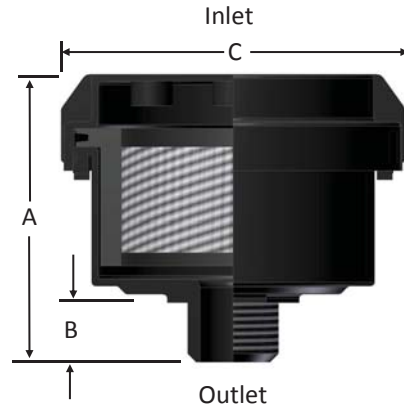
MPT Outlet	Assembly m ³ /h Rating	Assembly Part Number		Dimensions - mm			No. of Silencing Tubes	Approx. Weight kg	Replacement Element Part No.		Element m ³ /h Rating
		Polyester	Paper	A	B	C			Polyester	Paper	
1/4"	7	FS-05-025	FS-04-025	70	17	64	1	0.11	05	04	14
3/8"	14	FS-05-038	FS-04-038	70	17	64	1	0.11	05	04	14
3/8"	14	FS-07-038	FS-06-038	90	18	83	1	0.23	07	06	20
1/2"	14	FS-05-050	FS-04-050	76	22	64	1	0.11	05	04	14
1/2"	20	FS-07-050	FS-06-050	95	22	83	1	0.23	07	06	20
1/2"	20	FS-11-050	FS-10-050	106	22	108	1	0.45	11	10	60
3/4"	20	FS-07-075	FS-06-075	105	32	83	1	0.23	07	06	20
3/4"	43	FS-11-075	FS-10-075	114	32	107	1	0.45	11	10	60
1"	60	FS-11-100	FS-10-100	114	32	107	1	0.45	11	10	60

See Filter Silencer Technical Data section for sizing guidelines.

Note: MPT threaded housings are interchangeable with BSPT up to 1".

Tidbit: Charlie Solberg Jr. created a patented process to manufacture our Hockey Puck Style Filter Elements that are used in these housings.

Note: Model offerings & design parameters may change without notice. Contact Solberg for CAD drawings or see www.solbergmfg.com.



Features

- Easy snap-on design for quick servicing
- Durable glass reinforced nylon housing
- Compact, low profile configuration
- Noise reducing silencing design
- High grade filter element with integrated gasket seal

Benefits

- Longer element life with maximized surface area
- Cost efficient solution
- Low restriction improves equipment performance

Technical Specifications

- Temp (continuous): min -26°C (-15°F) max 104°C (220°F)
- Filter change out differential: 37-50 mbar over initial Δ P
- Pressure drop graphs available upon request
- Polyester: 99%+ removal efficiency standard to 25 micron
- Paper: 99%+ removal efficiency standard to 2 micron

Options

- Various media for different environments

MPT Outlet	Assembly m ³ /h Rating	Assembly Part Number		Dimensions - mm			Approx. Weight kg	Replacement Element Part No.		Element m ³ /h Rating	
		Polyester	Paper	A	B	C		Polyester	Paper		
1/8"	5	PS-03-013	PS-02-013	44	11	44	0.02	03	02	5	
1/4"	5	PS-03-025	PS-02-025	44	11	44	0.02	03	02	5	
1/4"	7	PS-05-025	PS-04-025	54	12	67	0.04	05	04	14	
3/8"	10	PS-05-038	PS-04-038	55	10	67	0.04	05	04	14	
1/2"	10	PS-05-050	PS-04-050	57	13	67	0.04	05	04	14	
1/2"	17	PS-07-050	PS-06-050	*	79	18	83	0.09	07	06	20
1/2"	20	PS-11-050	PS-10-050	*	83	18	106	0.14	11	10	60
3/4"	20	PS-07-075	PS-06-075	*	89	25	83	0.14	07	06	20
3/4"	34	PS-11-075	PS-10-075	*	89	25	105	0.16	11	10	60
1"	60	PS-11-100	PS-10-100	*	89	25	106	0.18	11	10	60

* Contact factory for availability and lead times.

Note: MPT threaded housings are interchangeable with BSPT up to 1".
See Filter Silencer Technical Data section for sizing guidelines.

Note: Model offerings & design parameters may change without notice. Contact Solberg for CAD drawings or see www.solbergmfg.com.

Compact Filter Silencers FS Series 1/2"-6" Threaded

DN80-DN150 FLG

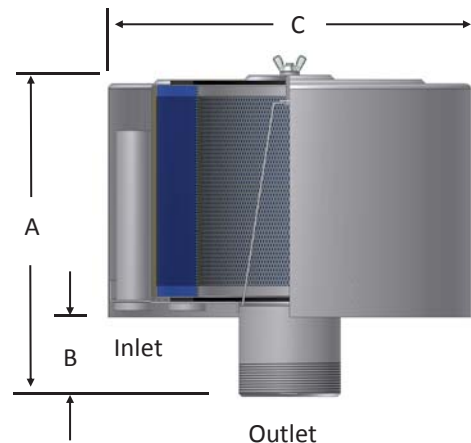


Features

- Fully drawn weatherhood
- Tubular silencing design - tubes are positioned to maximize attenuation and air flow while minimizing pressure drop
- Corrosion resistant carbon steel construction
- Powder coat finish

Technical Specifications

- Temp (continuous): min -26°C (-15°F) max 104°C (220°F)
- Filter change out differential: 37-50 mbar over initial ΔP
- Pressure drop graphs available upon request
- Polyester: 99%+ removal efficiency standard to 5 micron
- Paper: 99%+ removal efficiency standard to 2 micron



Options



- Tap holes available
- Pressure drop indicator (See page 3-12)
- Various media for different environments
- Stainless steel construction
- Various nonstandard finishes and connection styles
- Side Access Silencer Filters (LQB Series) for space restricted enclosures (select models)

Tidbit: Charlie Solberg Sr. "Senior" designed our first filter silencer in 1966. The FS-15 size filter was created for small air compressors.

Threaded Outlet Assemblies

Outlet Size	Outlet Type	Assembly m ³ /h Rating	Assembly Part Number		Dimensions - mm			No. of Silencing Tubes	Approx. Weight kg	Replacement Element Part No.		Element m ³ /h Rating
			Polyester	Paper	A	B	C			Polyester	Paper	
1/2"	MPT	17	FS-15-050	FS-14-050	87	24	155	1	0.8	15	14	60
3/4"	MPT	43	FS-15-075	FS-14-075	96	32	155	2	0.9	15	14	60
1"	MPT	60	FS-15-100	FS-14-100	96	33	155	3	0.9	15	14	60
1"	MPT	60	FS-15-100B	FS-14-100B	0	0	0	3	0.9	15	14	60
1"	MPT	94	FS-19P-100	FS-18P-100	162	33	156	3	1.4	19P	18P	170
1 1/4"	BSPT	119	FS-19P-126	FS-18P-126	171	41	156	5	1.5	19P	18P	170
1 1/2"	BSPT	145	FS-19P-151	FS-18P-151	171	41	156	5	1.6	19P	18P	170
1 1/2"	BSPT	145	FS-19P-151B	FS-18P-151B	171	41	156	5	1.6	19P	18P	170
2"	BSPT	230	FS-31P-201	FS-30P-201	190	60	262	5	3.5	31P	30P	332
2"	BSPT	230	FS-231P-201	FS-230P-201	304	60	260	5	6.3	231P	230P	510
2 1/2"	BSPT	332	FS-31P-251	FS-30P-251	196	67	262	5	3.7	31P	31P	332
2 1/2"	BSPT	332	FS-231P-251	FS-230P-251	314	67	260	9	6.5	231P	230P	510
3"	BSPT	510	FS-231P-301	FS-230P-301	323	80	260	9	6.8	231P	230P	510
3"	BSPT	510	FS(12)-235P-301	FS(12)-234P-301	326	69	311	3	13	235P	234P	970
3"	BSPT	510	FS-275P-301	FS-274P-301	330	80	406	9	15	275P	274P	1870
4"	BSPT	885	FS(12)-235P-401	FS(12)-234P-401	352	95	311	6	14	235P	234P	970
4"	BSPT	885	FS-275P-401	FS-274P-401	353	102	406	9	15	275P	274P	1870
5"	BSPT	1360	FS-245P-501	FS-244P-501	356	105	406	14	15	245P	244P	1500
5"	BSPT	1360	FS-275P-501	FS-274P-501	356	105	406	14	16	275P	274P	1870
6"	BSPT	1870	FS-275P-601	FS-274P-601	394	130	406	18	17	275P	274P	1870

See Filter Silencer Technical Data section for sizing guidelines.

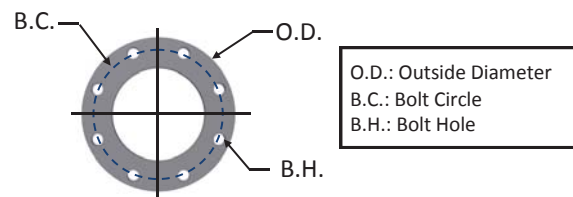
Note: MPT threaded housings are interchangeable with BSPT up to 1".

Flange Outlet Assemblies

Flange Outlet	Assembly m ³ /h Rating	Assembly Part Number		Dimensions - mm			No. of Silencing Tubes	Approx. Weight kg	Replacement Element Part No.		Element m ³ /h Rating
		Polyester	Paper	A	B	C			Polyester	Paper	
DN80	510	FS(12)-235P-DN80	FS(12)-234P-DN80	326	69	311	3	13	235P	234P	970
DN80	510	FS-275P-DN80	FS-274P-DN80	330	76	406	9	15	275P	274P	1870
DN100	885	FS(12)-235P-DN100	FS(12)-234P-DN100	352	95	311	6	14	235P	234P	970
DN100	885	FS-275P-DN100	FS-274P-DN100	354	102	406	9	18	275P	274P	1870
DN125	1360	FS-245P-DN125	FS-244P-DN125	356	105	406	14	17	245P	244P	1500
DN125	1360	FS-275P-DN125	FS-274P-DN125	356	105	406	14	18	275P	274P	1870
DN150	1870	FS-275P-DN150	FS-274P-DN150	381	130	406	18	19	275P	274P	1870

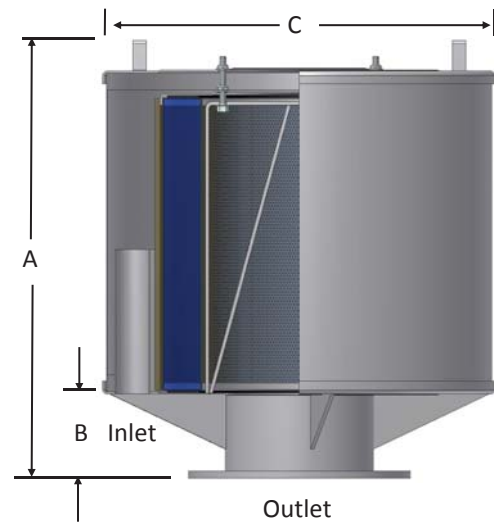
See Filter Silencer Technical Data section for sizing guidelines.

PN10 Pattern Flange	Dimensions - mm			No. of Holes	Flange Thickness
	O.D.	B.C.	B.H.		
DN80	200	160	18	8	20
DN100	220	180	18	8	20
DN125	250	210	18	8	22
DN150	285	240	22	8	22



Big Boy Filter Silencers

FS Series DN200 – DN300 FLG



Features

- Tubular silencing design - tubes are positioned to maximize attenuation and air flow while minimizing pressure drop
- Corrosion resistant carbon steel construction
- Powder coat finish
- Low pressure drop center bracket & outlet pipe design

Technical Specifications

- Temp (continuous): min -26°C (-15°F) max 104°C (220°F)
- Filter change out differential: 37-50 mbar over initial ΔP
- Pressure drop graphs available upon request
- Polyester: 99%+ removal efficiency standard to 5 micron
- Paper: 99%+ removal efficiency standard to 2 micron

Options

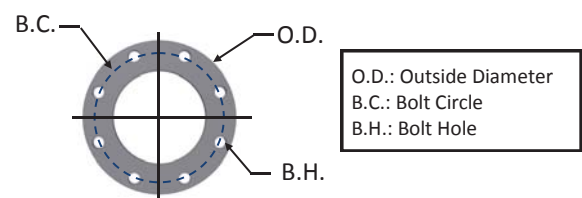


- Tap holes available
- Pressure drop indicator (See page 3-12)
- Various media for different environments
- Stainless steel construction
- Various nonstandard finishes and connection styles
- Side Access Silencer Filters (LQB Series) for space restricted enclosures (select models)

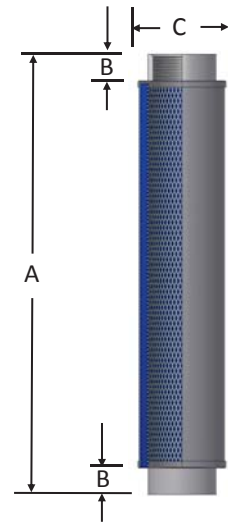
Flange Outlet	Assembly m ³ /h Rating	Assembly Part Number		Dimensions - mm			No. of Silencing Tubes	Approx. Weight kg	Replacement Element Part No.		Element m ³ /h Rating
		Polyester	Paper	A	B	C			Polyester	Paper	
DN200	3060	FS-377P-DN200	FS-376P-DN200	599	133	556	12	54	377P	376P	3105
DN200	3060	FS-385P-DN200	FS-384P-DN200	610	154	719	12	56	385P	384P	5610
DN250	5610	FS-385P-DN250	FS-384P-DN250	598	152	719	16	59	385P	384P	5610
DN250	5610	FS-485P-DN250	FS-484P-DN250	802	157	719	16	64	485P	484P	8000
DN300	7990	FS-485P-DN300	FS-484P-DN300	799	154	719	24	70	485P	484P	8000
DN300	7990	FS-685P-DN300	FS-384P(2)-DN300	977	154	719	24	79	685P	384P (2)	11220

See Filter Silencer Technical Data section for sizing guidelines.

PN10 Pattern Flange	Dimensions - mm			No. of Holes	Flange Thickness
	O.D.	B.C.	B.H.		
DN200	340	295	22	8	24
DN250	395	350	22	12	26
DN300	445	400	22	12	26



Note: Model offerings & design parameters may change without notice. Contact Solberg for CAD drawings or see www.solbergmfg.com.



Features

- Layered sound absorbent media
- Designed for minimal pressure drop; baffles, internal tubes, and other restrictive devices are unnecessary
- For inlet and discharge inline air service
- Corrosion resistant carbon steel construction
- Powder coat finish: 1/2" to 1-1/2"
- Epoxy coat finish: 2" to 4"

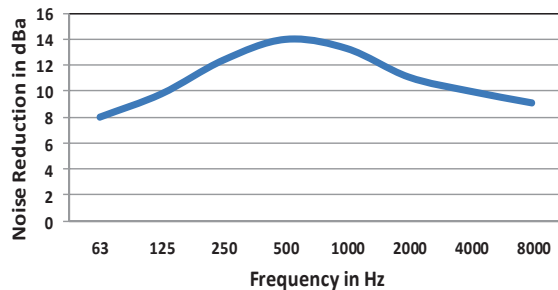
Options

- Flange adapters
- Larger sizes
- Special connections
- Hi-temp models

Technical Specifications

- Max. temperature (continuous): 107°C (225°F)
- Due to the wide range of equipment and environments; please contact factory for typical noise attenuation for your application.

Typical Noise Attenuation



- ♦ Noise attenuation may vary due to the wide range of applications and machines

Inlet/ Outlet Size	Inlet/ Outlet Type	Assembly m ³ /h Rating	Part Number	Dimensions - mm			Approx. Wt. kg
				A	B	C	
1"	NPSC	71	SLCR100	304	19	66	1.0
1 1/4"	BSPP	94	SLCR126	304	19	66	1.0
1 1/2"	BSPP	264	SLCR151	306	20	66	1.3
2"	BSPP	459	SLCR201	400	19	93	1.8
2 1/2"	BSPP	655	SLCR251	530	31	118	3.6
3"	BSPP	978	SLCR301	657	40	132	4.5
4"	BSPP	978	SLCR401	627	45	254	12
1/2"	MPT	43	SLCRT050	352	43	66	1.0
3/4"	MPT	60	SLCRT075	368	51	79	1.0
1"	MPT	71	SLCRT100	368	51	79	1.0
1 1/4"	BSPT	94	SLCRT126	368	51	66	1.0
1 1/2"	BSPT	264	SLCRT151	356	44	66	1.3
2"	BSPT	459	SLCRT201	470	54	93	1.8
2 1/2"	BSPT	655	SLCRT251	601	67	118	3.6
3"	BSPT	978	SLCRT301	711	67	130	4.5
4"	BSPT	978	SLCRT401	744	102	254	12

Note: MPT and FPT threaded housings are interchangeable with BSPT and BSPP up to 1".

Filter Silencers for Blowers

QB Series 2"-6" BSPT



DN80-DN150 FLG

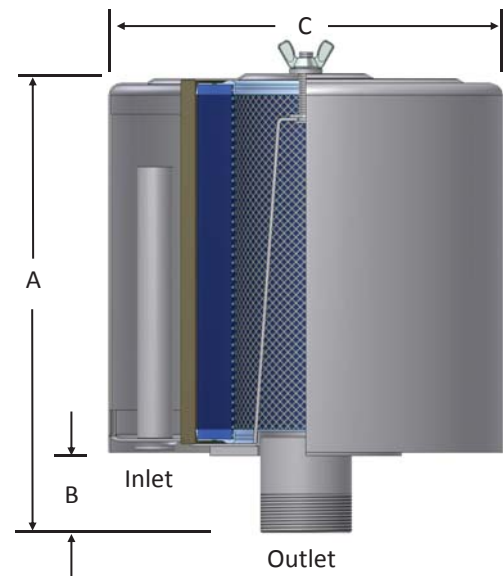


Features

- Multiple silencing features to reduce and deaden sound
 - Tubular Silencing - Tubes placed to maximize attenuation
 - Quiet Band Support –with “Quiet band” technology utilizes sound suppression in the design of the housing
- Low pressure drop housing design
- Corrosion resistant carbon steel construction
- Powder coat finish

Technical Specifications

- Temp (continuous): min -26°C (-15°F) max 104°C (220°F)
- Filter change out differential: 37-50 mbar over initial ΔP
- Pressure drop graphs available upon request
- Polyester: 99%+ removal efficiency standard to 5 micron
- Paper: 99%+ removal efficiency standard to 2 micron



Options

- Tap holes available
- Pressure drop indicator (See page 3-12)
- Various media for different environments
- Stainless steel construction
- Various nonstandard finishes and connection styles
- Side Access Silencer Filters (LQB Series) for space restricted enclosures (select models)

DN80-DN150 FLG

BSPT Outlet Assemblies

BSPT Outlet	Assembly m ³ /h Rating	Assembly Part Number		Dimensions - mm			No. of Silencing Tubes	Approx. Weight kg	Replacement Element Part No.		Element m ³ /h Rating
		Polyester	Paper	A	B	C			Polyester	Paper	
2"	230	QB-231P-201	QB-230P-201	301	60	260	7	6	231P	230P	510
2 1/2"	332	QB-231P-251	QB-230P-251	307	67	260	9	6	231P	230P	510
3"	510	QB-231P-301	QB-230P-301	320	80	260	9	6	231P	230P	510
3"	510	QB(12)-235P-301	QB(12)-234P-301	326	69	311	3	13	235P	234P	969
3"	510	QB-275P-301	QB-274P-301	330	76	406	9	15	275P	274P	1870
4"	884	QB(12)-235P-401	QB(12)-234P-401	352	95	311	6	14	235P	234P	970
4"	884	QB-275P-401	QB-274P-401	356	102	406	9	15	275P	274P	1870
5"	1360	QB-245P-501	QB-244P-501	356	102	406	14	15	245P	244P	1496
5"	1360	QB-275P-501	QB-274P-501	356	102	406	14	16	275P	274P	1870
6"	1870	QB-275P-601	QB-274P-601	394	133	406	18	17	275P	274P	1870

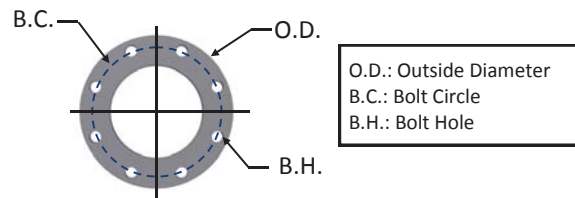
See Filter Silencer Technical Data section for sizing guidelines.

Flange Outlet Assemblies

Flange Outlet	Assembly m ³ /h Rating	Assembly Part Number		Dimensions - mm			No. of Silencing Tubes	Approx. Weight kg	Replacement Element Part No.		Element m ³ /h Rating
		Polyester	Paper	A	B	C			Polyester	Paper	
DN80	510	QB(12)-235P-DN80	QB(12)-234P-DN80	326	69	311	3	14	235P	234P	970
DN80	510	QB-275P-DN80	QB-274P-DN80	330	76	406	9	15	275P	274P	1870
DN100	884	QB(12)-235P-DN100	QB(12)-234P-DN100	352	95	311	6	15	235P	234P	970
DN100	884	QB-275P-DN100	QB-274P-DN100	356	102	406	9	18	275P	274P	1870
DN125	1360	QB-245P-DN125	QB-244P-DN125	356	102	406	14	17	245P	244P	1496
DN125	1360	QB-275P-DN125	QB-274P-DN125	356	102	406	14	18	275P	274P	1870
DN150	1870	QB-275P-DN150	QB-274P-DN150	394	133	406	18	19	275P	274P	1870

See Filter Silencer Technical Data section for sizing guidelines.

PN10 Pattern Flange	Dimensions - mm			No. of Holes	Flange Thickness
	O.D.	B.C.	B.H.		
DN80	200	160	18	8	20
DN100	220	180	18	8	20
DN125	250	210	18	8	22
DN150	285	240	22	8	22



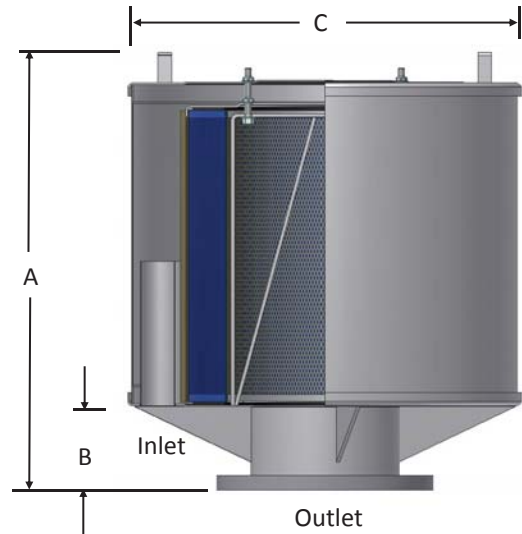
Note: Model offerings & design parameters may change without notice. Contact Solberg for CAD drawings or see www.solbergmfg.com.

Big Boy Filter Silencers for Blowers

QB Series DN200 - DN300 FLG



Filter Silencers



Features

- Multiple silencing features to reduce and deaden sound
 - Tubular Silencing - Tubes placed to maximize attenuation
 - Quiet Band Support - "Quiet band" technology utilizes sound suppression in the design of the housing
- Low pressure drop housing design
- Corrosion resistant carbon steel construction
- Powder coat finish

Technical Specifications

- Temp (continuous): min -26°C (-15°F) max 104°C (220°F)
- Filter change out differential: 37-50 mbar over initial Δ P
- Pressure drop graphs available upon request
- Polyester: 99%+ removal efficiency standard to 5 micron
- Paper: 99%+ removal efficiency standard to 2 micron

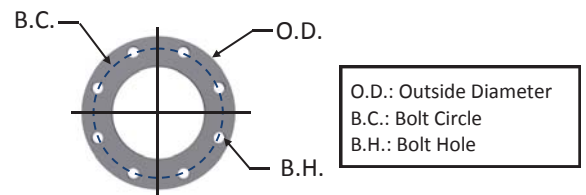
Options

- Tap holes available
- Pressure drop indicator (See page 3-12)
- Various media for different environments
- Stainless steel construction
- Various nonstandard finishes and connection styles
- Side Access Silencer Filters (LQB Series) for space restricted enclosures (select models)

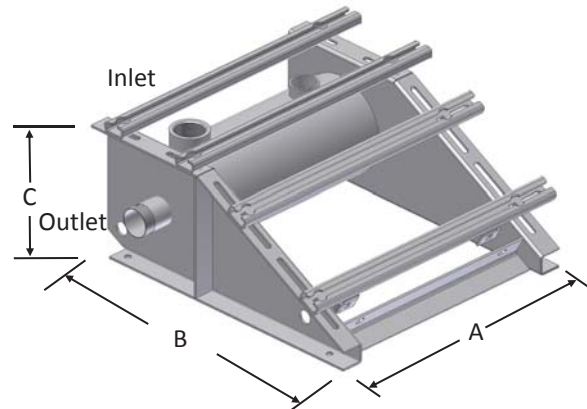
Flange Outlet	Assembly m ³ /h Rating	Assembly Part Number		Dimensions - mm			No. of Silencing Tubes	Approx. Weight kg	Replacement Element Part No.		Element m ³ /h Rating
		Polyester	Paper	A	B	C			Polyester	Paper	
DN200	3060	QB-377P-DN200	QB-376P-DN200	584	152	572	12	50	377P	376P	3105
DN200	3060	QB-385P-DN200	QB-384P-DN200	584	152	724	12	56	385P	384P	5605
DN250	5610	QB-385P-DN250	QB-384P-DN250	584	152	724	16	59	385P	384P	5610
DN250	5610	QB-485P-DN250	QB-484P-DN250	787	152	724	16	64	485P	484P	8000
DN300	7990	QB-485P-DN300	QB-484P-DN300	787	152	724	24	70	485P	484P	8000
DN300	7990	QB-685P-DN300	QB-384P(2)-DN300	965	152	724	24	79	685P	384P	11220
DN300	7990	QB-485P(2)-DN300	QB-484P(2)-DN300	1346	152	724	24	88	485P	484P	16000

See Filter Silencer Technical Data section for sizing guidelines.

PN10 Pattern Flange	Dimensions - mm			No. of Holes	Flange Thickness
	O.D.	B.C.	B.H.		
DN200	340	295	22	8	24
DN250	395	350	22	12	26
DN300	445	400	22	12	26



Note: Model offerings & design parameters may change without notice. Contact Solberg for CAD drawings or see www.solbergmfg.com.



Features

- Reactive style silencing design
- Integrated discharge silencer
- Adjustable motor supports for belt tensioning
- Pre-assembled rails to frame
- Corrosion resistant carbon steel construction
- External black powder coat finish

Benefits

- Compact design for small blower package footprint
- Low profile allows for easier maintenance inspections
- Quick installation time
- Cost Savings (Minimal packaging, freight & storage)
- Sound enclosures are more economical due to compact frame footprint
- Engineering support provided by Solberg for sizing specifications and specific requirements

Technical Specifications

- Pressure Rating: 1 ATM
- Hardware Kit (USA standard nuts, bolts, washers) included
- Ports for: relief valve, pressure & temperature gauges

Options

- Purpose built belt guard
- Flexible boot kit (clamp, flex adapter)
- Flange adapters
- Snubber discharge silencer for vacuum applications
- Contact factory for best Solberg filter for your package



Example of Silencer Base Frame Package

Pipe Stub Inlet	MPT Outlet	Assembly m ³ /h Rating	Part Number	Dimensions - mm			Relief Valve Port	Sugg. HP Range	Approx. Wt. kg	Belt Guard for BBF Series	
				A	B	C				Part No.	Weight (kg)
2"	2"	230	BBF-200	660	762	305	2.5	5-20+	59	DL-200	9
2 1/2"	2 1/2"	332	BBF-250	660	762	305	2.5	5-20+	59	DL-200	9
3"	3"	510	BBF-300	775	889	386	2"	10-50	81	DL-300	10
4"	4"	884	BBF-400	775	889	386	2"	10-50	81	DL-300	10
6"	6" Flg	1870	BBF-600F	946	1003	451	3"	20-60	179	DL-600	13

Note: Model offerings & design parameters may change without notice. Contact Solberg for CAD drawings or see www.solbergmfg.com.

Lateral Access Filter Silencer LQB Series



Example of Silencer Base Frame Package w/LQB

Features

- Multiple silencing features to reduce and deaden sound
 - Tubular Silencing - Tubes placed to maximize attenuation
 - Quiet Band Support - "Quiet band" technology utilizes sound suppression in the design of the housing
- Side access door with seal
- Corrosive resistant carbon steel construction
- Powder coat finish
- 1/8" tap hole
- Please contact Solberg for model offerings and availability.

Technical Specifications

- Temp (continuous): min -26°C (-15°F) max 104°C (220°F)
- Filter change out differential: 37-50 mbar over initial ΔP
- Pressure drop graphs available upon request
- Polyester: 99%+ removal efficiency standard to 5 micron
- Paper: 99%+ removal efficiency standard to 2 micron

Benefits

- Easy maintenance due to easy accessible element
- Compact housing design ideal for
 - Blower packages with enclosures
 - Space restricted work areas
- Cost savings due to smaller sound enclosure
- Differentiate your package from traditional
- Designed to be used with Solberg's BBF Series Silencer Base Frame

Options

- Various media for different environments
- Stainless steel construction
- Various nonstandard finishes and connection styles
- Pressure drop indicator (See page 3-11)

Why Solberg's LQB Series?

LQB Series helps make enclosures feasible and simplifies the maintenance process. Typical filter silencers require service area above the filter housing which increases the height and cost of the enclosure and makes servicing the unit difficult. The LQB Filter Silencer has an easy access side port which simplifies servicing and lowers the cost of your enclosure dramatically.



Examples of LQB Silencer Filter with and without filter element installed. Filter element easily slides out the side port for servicing.

Sumo Class Filter Silencers

Features

- Single barrel filter design allows for large airflows in space restricted work areas
- Tubular Silencing: Tubes positioned to maximize attenuation and air flow while minimizing pressure drop
- Low pressure drop housing construction
- Please contact Solberg for model offerings and availability.

Technical Specifications

- Designed for airflows up to 13600 m³/h
- Temp (continuous): min -26°C (-15°F) max 104°C (220°F)
- Filter change out differential: 37-50 mbar over initial Δ P
- Polyester: 99%+ removal efficiency standard to 5 micron
- Paper: 99%+ removal efficiency standard to 2 micron



Options

- Tap holes
- Pressure drop indicator
- Various media for different environments
- Stainless steel construction
- Various nonstandard finishes and connection styles

Multibarrel Filter Silencers

Features

- Designed for large airflow applications
- Cartridge style elements provide:
 - Increased reliability-better positive seal than panel filters
 - Added efficiency with maximum surface area
- Tubular Silencing: Tubes positioned to maximize attenuation and air flow while minimizing pressure drop
- Multiple configurations allows for a variety of environments
- Durable carbon steel construction with powder coat finish
- Please contact Solberg for model offerings and availability.

Technical Specifications

- Designed for airflows up to 42500 m³/h
- Temp (continuous): min -26°C (-15°F) max 104°C (220°F)
- Filter change out differential: 37-50 mbar over initial Δ P
- Polyester: 99%+ removal efficiency standard to 5 micron
- Paper: 99%+ removal efficiency standard to 2 micron



Options (Inquiries Encouraged)

- Multiple manifold configurations
- Pressure drop indicator
- Support stands
- Stainless steel construction
- Epoxy coated finish

Notes

Filter Silencers

